



Powered by PoE Solutions

Datasheet Collection

www.aristaipc.com



Contents

Operator Workstations

Operator Terminal Workstations Powered By PoE

ARP-3821AX-AMA-E01 (Wall Mount 1)	03
ARP-3821AX-AMA-E01 (Wall Mount 2)	05
ARP-5515AX-AMA-E01 (Ceiling Mount)	07
ARP-5517AX-AMA-E01 (Ceiling Mount)	09
ARP-5519AX-AMA-E01 (Ceiling Mount)	11
AMA-7421AX-E01 (Pedestal Mount)	13

Industrial Panel PCs

Waterproof Panel PCs Powered By PoE

ARP-3821AX-E01	15
ARP-5515AX-E01	17
ARP-5517AX-E01	19
ARP-5519AX-E01	21

Thin Clients

Waterproof Thin Client Panel PCs Powered By PoE

ARP-3821AX-E01-A06	23
ARP-5515AX-E01-A06	25
ARP-5517AX-E01-A06	27
ARP-5519AX-E01-A06	29



ARP-3821AX-AMA-E01 (Wall Mount 1)

Wall Mount 21.5-inch Capacitive Touch Screen Operator Workstation
Powered by 802.3bt Type 3/4 PoE (Wall Mount 1)

Features

- 21.5" LCD, 1920 x 1080 Resolution
- Projected Capacitive Touch Screen
- Intel Celeron J1900 @ 1.99GHz / Atom E3845 @ 1.91GHz CPU
- Up to 8GB DDR3
- Stainless Steel Fully Closed Enclosure
- Meets NEMA 4X / IP66 Protection Requirements
- Stainless Steel Wall Mount Mounting Brackets Included
- Waterproof Keyboard and Pointing Device
- Three Keyboard Options
- ThinManager Ready Version Available
- Powered By 802.3bt Type 3/4 PoE

Specifications

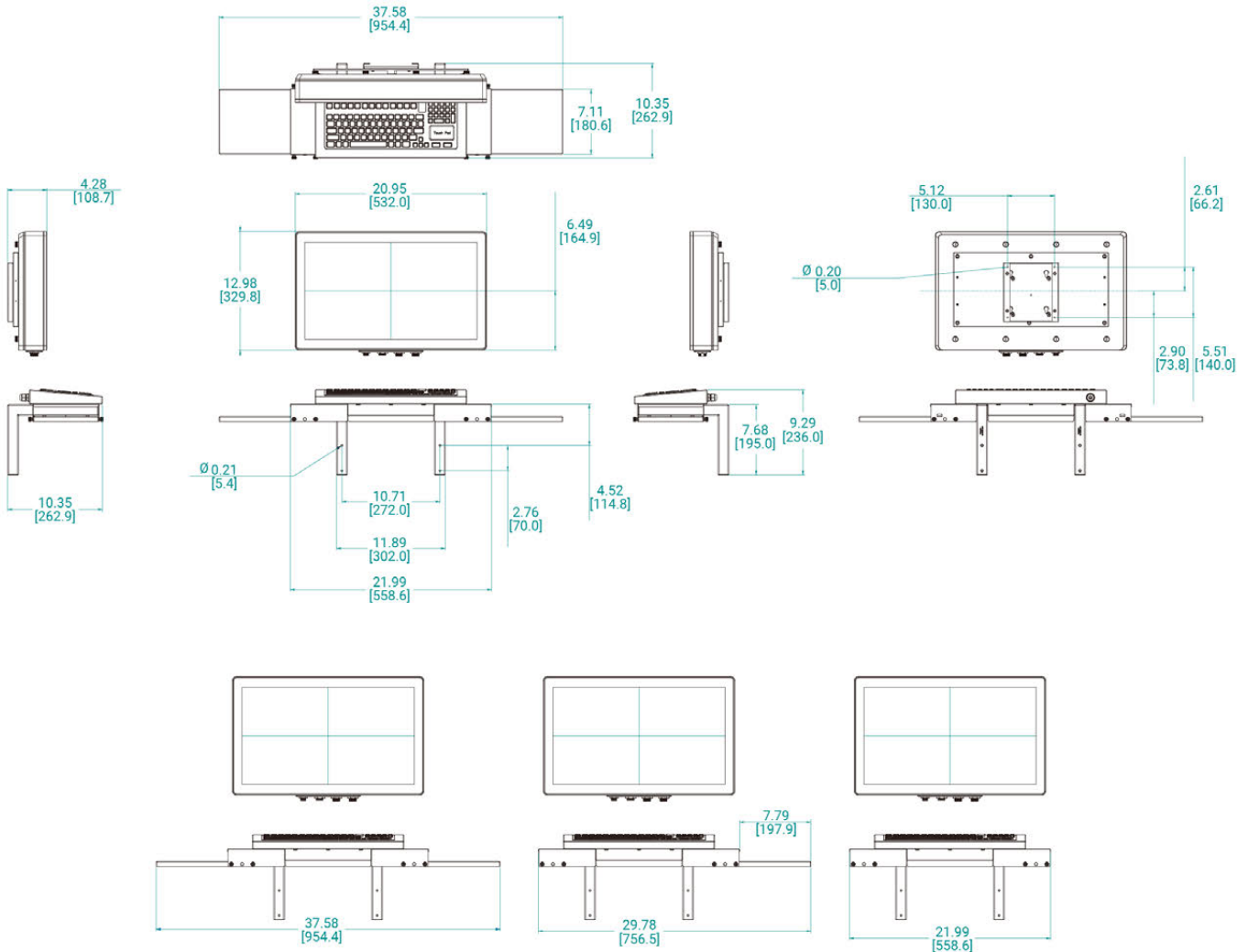
※ Wall Mount 1 Option

Model Name	ARP-3821AX-AMA-E01
LCD Display	
Display Size (Diagonal)	21.5 inch
Max Resolution	1920 x 1080
Backlight Lifetime (Hours)	50,000 hours
Visual Characteristics	
Colors	16.7 million
Aspect Ratio	16:9
Viewing Angle (V/H)	178° / 178°
Contrast Ratio	1000:1
Brightness	250 nits
Touch Screen	
Technology	Projected Capacitive
Interface	USB
Driver	Windows 7, Windows 10
System	
CPU	Intel Celeron J1900 @ 1.99GHz / Atom E3845 @ 1.91GHz CPU
Chipset	Bay Trail
Memory	Up to 8GB DDR3 SO-DIMM
Video Controller	Intel Gen7 Intel Graphics DX 11, OGL3.2
External Video Output	N/A
Storage Option	2.5" SSD
CFast	Optional
Keyboard	Membrane or Silicon Rubber Keyboard
Mouse	Pointing Device or Touch Pad
Audio	N/A
Watchdog Timer	Programmable 1 - 255 sec
Remote Boot	ThinManager Ready, PXE
Expansion Slot	N/A
I/O Communication	
USB Port	1x USB 2.0
Serial Port	N/A
IEEE 1394	N/A
LAN / Wi-Fi	1 x Gigabit
Parallel	N/A
GPIO	N/A
OS Support	
OS Support	Windows 7, Windows 10
Power/Thermal Specs	
Power Requirement (Max)	Powered By 802.3bt Type 3/4 PoE
Power Consumption (Max)	43W
Recommended Power Supply	62W
Heat Dissipation	147 BTU/hr
Physical Information	
Mounting	Wall Mount
Net Weight	-
Dimension (W x H x D)	37.57 x 20.78 x 10.49 inch 532 x 954.4 x 266.53 mm
Recommended Cutout Dimension (WxH)	N/A
Rating	Meets NEMA 4X / IP65
Certification	N/A
Environmental	
Operation Temperature	0-35°C (32-95°F)
Storage Temperature	-20-60°C (-4-140°F)
Humidity	0~95%

Dimension Drawing

Model Name: ARP-3821AX-AMA-E01(Wall Mount 1)

Size Unit: inch(mm)



Ordering Information

This is one of the illustrations showing ARP-3821AX can be used in the workstation setup. Please call ARISTA sales for various workstation mounting options.



ARP-3821AX-AMA-E01 (Wall Mount 2)

Adjustable Height Wall Mount 21.5-inch Capacitive Touch Screen
Operator Workstation Powered by 802.3bt Type 3/4 PoE (Wall Mount 2)

Features

- 21.5" LCD, 1920 x 1080 Resolution
- Projected Capacitive Touch Screen
- Intel Celeron J1900 @ 1.99GHz / Atom E3845 @ 1.91GHz CPU
- Up to 8GB DDR3
- Stainless Steel Fully Closed Enclosure
- Meets NEMA 4X / IP66 Protection Requirements
- Adjustable Height Wall Mount Mounting Brackets Included
- Waterproof Keyboard and Pointing Device
- Three Keyboard Options
- ThinManager Ready Version Available
- Powered By 802.3bt Type 3/4 PoE

Specifications

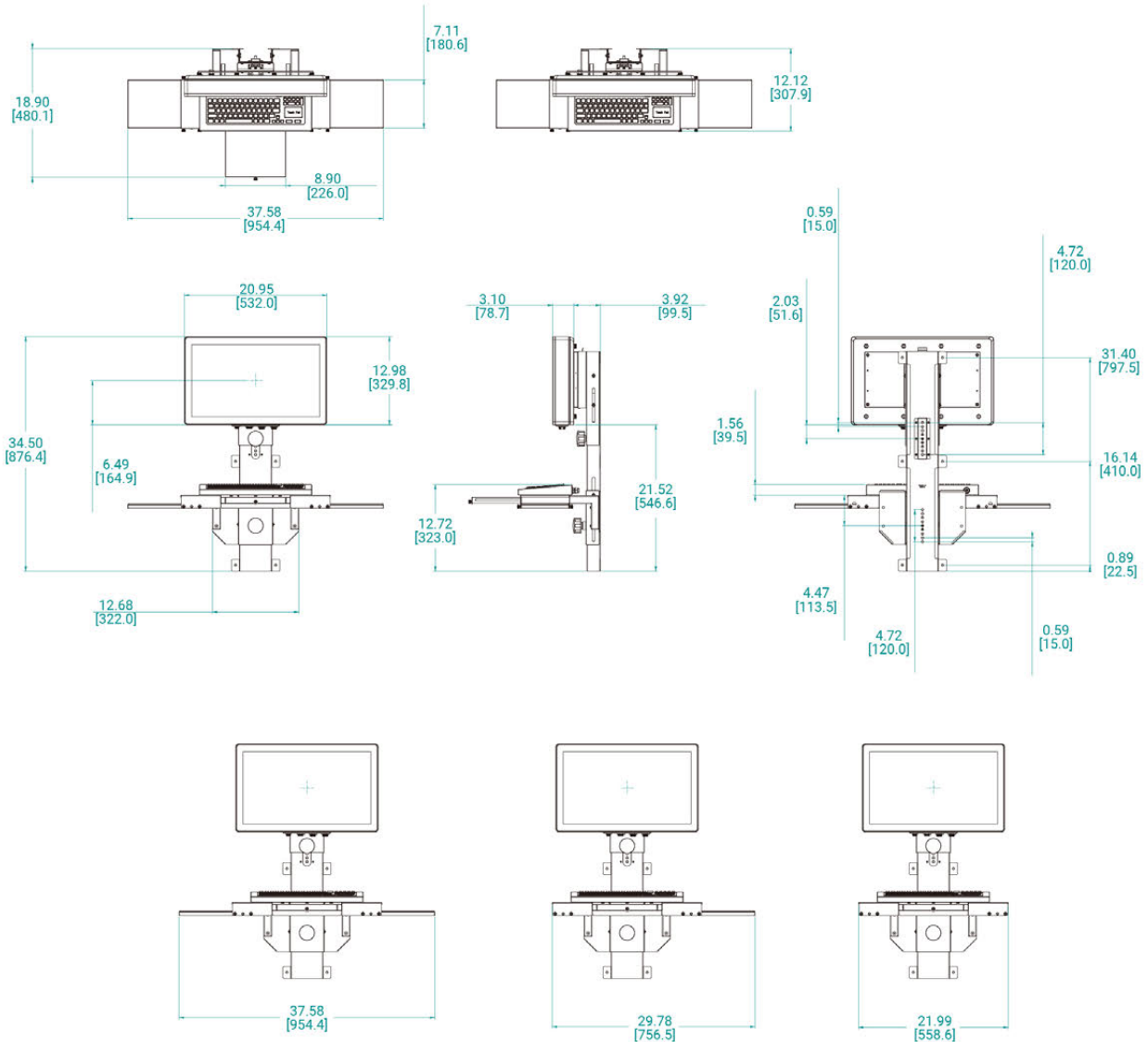
※ Wall Mount 2 Option

Model Name	ARP-3821AX-AMA-E01
LCD Display	
Display Size (Diagonal)	21.5 inch
Max Resolution	1920 x 1080
Backlight Lifetime (Hours)	50,000 hours
Visual Characteristics	
Colors	16.7 million
Aspect Ratio	16:9
Viewing Angle (V/H)	178° / 178°
Contrast Ratio	1000:1
Brightness	250 nits
Touch Screen	
Technology	Projected Capacitive
Interface	USB
Driver	Windows 7, Windows 10
System	
CPU	Intel Celeron J1900 @ 1.99GHz / Atom E3845 @ 1.91GHz CPU
Chipset	Bay Trail
Memory	Up to 8GB DDR3 SO-DIMM
Video Controller	Intel Gen7 Intel Graphics DX 11, OGL3.2
External Video Output	N/A
Storage Option	2.5" SSD
CFast	Optional
Keyboard	Membrane or Silicon Rubber Keyboard
Mouse	Pointing Device or Touch Pad
Audio	N/A
Watchdog Timer	Programmable 1 - 255 sec
Remote Boot	ThinManager Ready, PXE
Expansion Slot	N/A
I/O Communication	
USB Port	1x USB 2.0
Serial Port	N/A
IEEE 1394	N/A
LAN / Wi-Fi	1 x Gigabit
Parallel	N/A
GPIO	N/A
OS Support	
OS Support	Windows 7, Windows 10
Power/Thermal Specs	
Power Requirement (Max)	Powered By 802.3bt Type 3/4 PoE
Power Consumption (Max)	43W
Recommended Power Supply	62W
Heat Dissipation	147 BTU/hr
Physical Information	
Mounting	Wall Mount (Adjustable Height)
Net Weight	--
Dimension (W x H x D)	--
Recommended Cutout Dimension (WxH)	N/A
Rating	Meets NEMA 4X / IP65
Certification	N/A
Environmental	
Operation Temperature	0-35°C (32-95°F)
Storage Temperature	-20-60°C (-4-140°F)
Humidity	0~95%

Dimension Drawing

Model Name: ARP-3821AX-AMA-E01 (Wall Mount 2)

Size Unit: inch(mm)



Ordering Information

This is one of the illustrations showing ARP-3821AX can be used in the workstation setup. Please call ARISTA sales for various workstation mounting options.



ARP-5515AX-AMA-E01 (Ceiling Mount)

Wall Mount 15-inch Resistive Touch Screen Operator Workstation
Powered by 802.3bt Type 3/4 PoE (Ceiling Mount)

Features

- 15" LCD, 1024 x 768 Resolution
- 5-Wire Resistive Touch Screen
- Intel Celeron J1900 @ 1.99GHz / Atom E3845 @ 1.91GHz CPU
- Up to 8GB DDR3
- Stainless Steel Fully Closed Enclosure
- Meets NEMA 4X / IP66 Protection Requirements
- Stainless Steel Wall Mount Mounting Brackets Included
- Waterproof Keyboard and Pointing Device
- Three Keyboard Options
- ThinManager Ready Version Available
- Powered By 802.3bt Type 3/4 PoE

Specifications

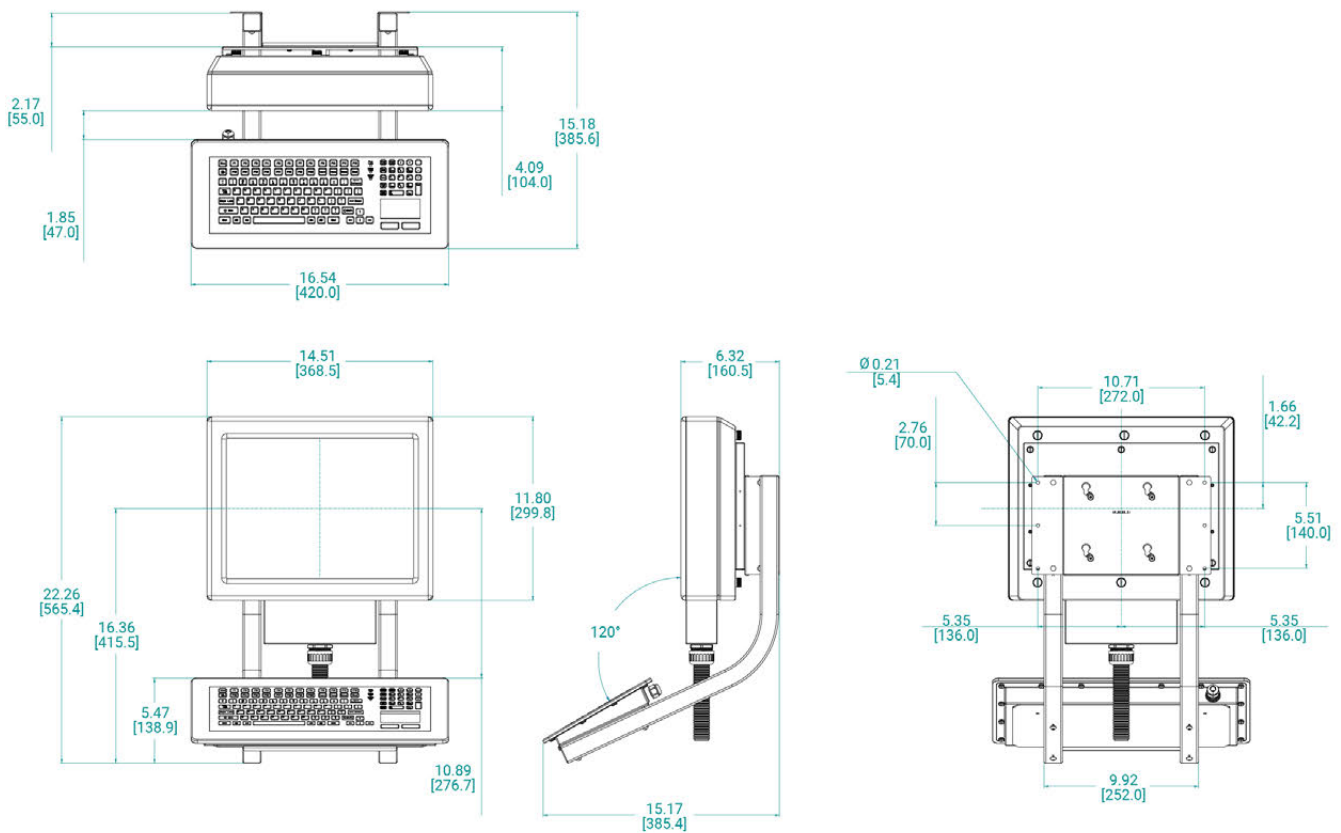
※ Ceiling Mount Option

Model Name	ARP-5515AX-AMA-E01
LCD Display	
Display Size (Diagonal)	15.0 inch
Max Resolution	1024 x 768
Backlight Lifetime (Hours)	50,000 hours
Visual Characteristics	
Colors	16.7 million
Aspect Ratio	4:3
Viewing Angle (V/H)	140° / 170°
Contrast Ratio	700 : 1
Brightness	300 nits (max)
Touch Screen	
Technology	5 Wire Resistive
Interface	USB
Driver	Windows 7, Windows 10
System	
CPU	Intel Celeron J1900 @ 1.99GHz / Atom E3845 @ 1.91GHz CPU
Chipset	Bay Trail
Memory	Up to 8GB DDR3 SO-DIMM
Video Controller	Intel Gen7 Intel Graphics DX 11, OGL3.2
External Video Output	N/A
Storage Option	2.5" SSD
CFast	Optional
Keyboard	Membrane or Silicon Rubber Keyboard
Mouse	Pointing Device or Touch Pad
Audio	N/A
Watchdog Timer	Programmable 1 - 255 sec
Remote Boot	ThinManager Ready, PXE
Expansion Slot	N/A
I/O Communication	
USB Port	1x USB 2.0
Serial Port	N/A
IEEE 1394	N/A
LAN / Wi-Fi	1 x Gigabit
Parallel	N/A
GPIO	N/A
OS Support	
OS Support	Windows 7, Windows 10
Power/Thermal Specs	
Power Requirement (Max)	Powered By 802.3bt Type 3/4 PoE
Power Consumption (Max)	28W
Recommended Power Supply	40W
Heat Dissipation	96 BTU/hr
Physical Information	
Mounting	Optional Mounting (Refer to Accessories)
Net Weight	42 Lbs/ 20 kg
Dimension (W x H x D)	--
Recommended Cutout Dimension (WxH)	N/A
Rating	Meets NEMA 4X / IP65
Certification	N/A
Environmental	
Operation Temperature	0-35°C (32-95°F)
Storage Temperature	-20-60°C (-4-140°F)
Humidity	0~95%

Dimension Drawing

Model Name: ARP-551 5AX-AMA-E01 (Ceiling Mount)

Size Unit: inch(mm)



Ordering Information

This is one of the illustrations showing ARP-551 5AX can be used in the workstation setup. Please call ARISTA sales for various workstation mounting options.



ARP-5517AX-AMA-E01 (Ceiling Mount)

Wall Mount 17-inch Resistive Touch Screen Operator Workstation
Powered by 802.3bt Type 3/4 PoE (Ceiling Mount)

Features

- 17" LCD, 1280 x 1024 Resolution
- 5-Wire Resistive Touch Screen
- Intel Celeron J1900 @ 1.99GHz / Atom E3845 @ 1.91GHz CPU
- Up to 8GB DDR3
- Stainless Steel Fully Closed Enclosure
- Meets NEMA 4X / IP66 Protection Requirements
- Stainless Steel Wall Mount Mounting Brackets Included
- Waterproof Keyboard and Pointing Device
- Three Keyboard Options
- ThinManager Ready Version Available
- Powered By 802.3bt Type 3/4 PoE

Specifications

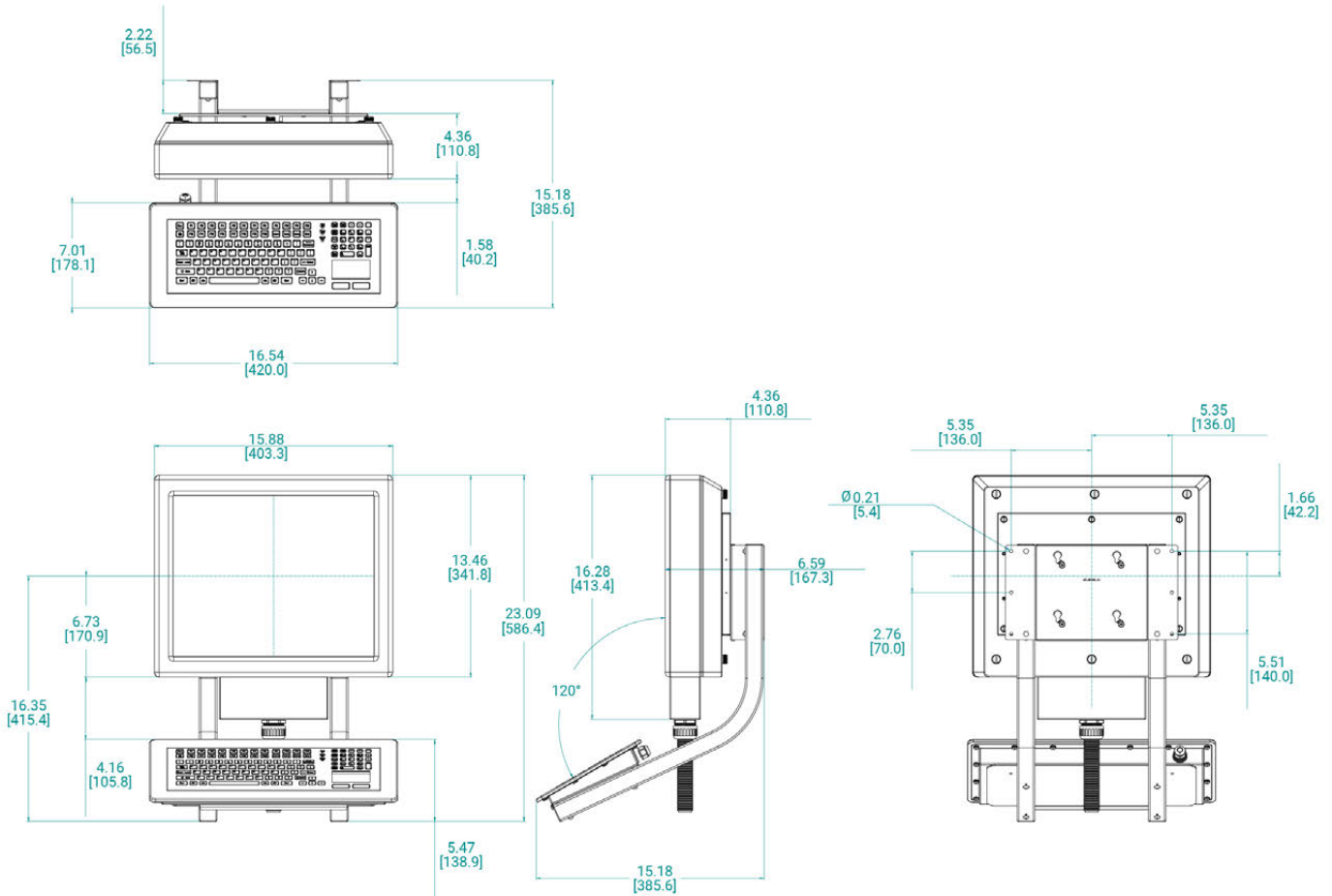
※ Ceiling Mount Option

Model Name	ARP-5517AX-AMA-E01
LCD Display	
Display Size (Diagonal)	17.0 inch
Max Resolution	1280 x 1024
Backlight Lifetime (Hours)	50,000 hours
Visual Characteristics	
Colors	16.7 million
Aspect Ratio	5:4
Viewing Angle (V/H)	160° / 140°
Contrast Ratio	800 : 1
Brightness	350 nits
Touch Screen	
Technology	5 Wire Resistive
Interface	USB
Driver	Windows 7, Windows 10
System	
CPU	Intel Celeron J1900 @ 1.99GHz / Atom E3845 @ 1.91GHz CPU
Chipset	Bay Trail
Memory	Up to 8GB DDR3 SO-DIMM
Video Controller	Intel Gen7 Intel Graphics DX 11, OGL3.2
External Video Output	N/A
Storage Option	2.5" SSD
CFast	Optional
Keyboard	Membrane or Silicon Rubber Keyboard
Mouse	Pointing Device or Touch Pad
Audio	N/A
Watchdog Timer	Programmable 1 - 255 sec
Remote Boot	ThinManager Ready, PXE
Expansion Slot	N/A
I/O Communication	
USB Port	1x USB 2.0
Serial Port	N/A
IEEE 1394	N/A
LAN / Wi-Fi	1 x Gigabit
Parallel	N/A
GPIO	N/A
OS Support	
OS Support	Windows 7, Windows 10
Power/Thermal Specs	
Power Requirement (Max)	Powered By 802.3bt Type 3/4 PoE
Power Consumption (Max)	30 W
Recommended Power Supply	43 W
Heat Dissipation	103 BTU/hr
Physical Information	
Mounting	Optional Mounting (Refer to Accessories)
Net Weight	44 Lbs / 20Kg
Dimension (W x H x D)	--
Recommended Cutout Dimension (WxH)	N/A
Rating	Meets NEMA 4X / IP65
Certification	N/A
Environmental	
Operation Temperature	0-35°C (32-95°F)
Storage Temperature	-20-60°C (-4-140°F)
Humidity	0~95%

Dimension Drawing

Model Name: ARP-5517AX-AMA-E01 (Ceiling Mount)

Size Unit: inch(mm)



Ordering Information

This is one of the illustrations showing ARP-5517AX can be used in the workstation setup. Please call ARISTA sales for various workstation mounting options.



ARP-5519AX-AMA-E01 (Ceiling Mount)

Wall Mount 19-inch Resistive Touch Screen Operator Workstation
Powered by 802.3bt Type 3/4 PoE (Ceiling Mount)

Features

- 19" LCD, 1280 x 1024 Resolution
- 5-Wire Resistive Touch Screen
- Intel Celeron J1900 @ 1.99GHz / Atom E3845 @ 1.91GHz CPU
- Up to 8GB DDR3 / Up to 16GB DDR4 SO-DIMM
- Stainless Steel Fully Closed Enclosure
- Meets NEMA 4X / IP66 Protection Requirements
- Stainless Steel Wall Mount Mounting Brackets Included
- Waterproof Keyboard and Pointing Device
- Three Keyboard Options
- ThinManager Ready Version Available
- Powered By 802.3bt Type 3/4 PoE

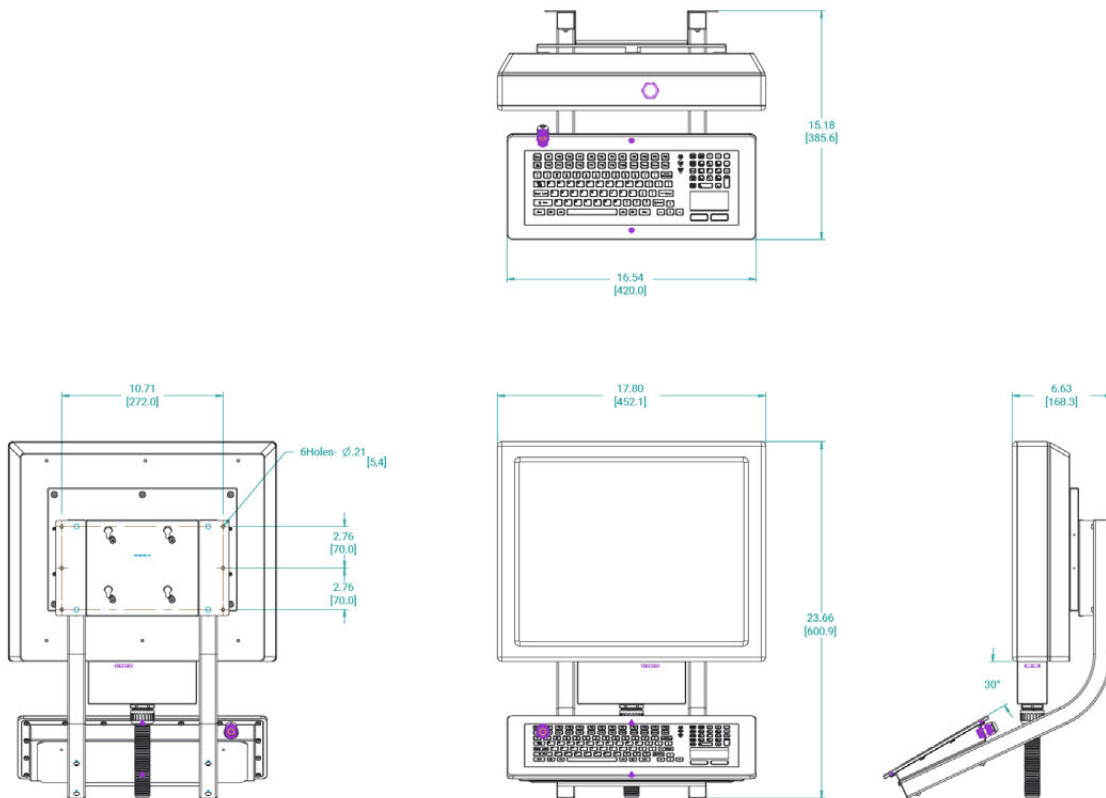
Specifications

※ Ceiling Mount Option

Model Name	ARP-5519AX-AMA-E01
LCD Display	
Display Size (Diagonal)	19.0 inch
Max Resolution	1280 x 1024
Backlight Lifetime (Hours)	50,000 hours
Visual Characteristics	
Colors	16.7 million
Aspect Ratio	Up to 5:4
Viewing Angle (V/H)	160° / 170°
Contrast Ratio	1000:1
Brightness	450 nits
Touch Screen	
Technology	5 Wire Resistive
Interface	USB
Driver	Windows 7, Windows 10
System	
CPU	Intel Celeron J1900 @ 1.99GHz / Atom E3845 @ 1.91GHz CPU
Chipset	Bay Trail
Memory	Up to 8GB DDR3 SO-DIMM
Video Controller	Intel Gen7 Intel Graphics DX 11, OGL3.2
External Video Output	N/A
Storage Option	2.5" SSD
CFast	Optional
Keyboard	Membrane or Silicon Rubber Keyboard
Mouse	Pointing Device or Touch Pad
Audio	N/A
Watchdog Timer	Programmable 1 - 255 sec
Remote Boot	ThinManager Ready, PXE
Expansion Slot	N/A
I/O Communication	
USB Port	1x USB 2.0
Serial Port	N/A
IEEE 1394	N/A
LAN / Wi-Fi	1 x Gigabit
Parallel	N/A
GPIO	N/A
OS Support	
OS Support	Windows 7, Windows 10
Power/Thermal Specs	
Power Requirement (Max)	Powered By 802.3bt Type 3/4 PoE
Power Consumption (Max)	30 W
Recommended Power Supply	43 W
Heat Dissipation	103 BTU/hr
Physical Information	
Mounting	Optional Mounting (Refer to Accessories)
Net Weight	45 Lbs / 21 Kg
Dimension (W x H x D)	--
Recommended Cutout Dimension (WxH)	N/A
Rating	Meets NEMA 4X / IP65
Certification	N/A
Environmental	
Operation Temperature	0-35°C (32-95°F)
Storage Temperature	-20-60°C (-4-140°F)
Humidity	0~95%

Dimension Drawing

Model Name: ARP-5519AX-AMA-E01 (Ceiling Mount)
Size Unit: inch(mm)



Ordering Information

This is one of the illustrations showing ARP-5519AX can be used in the workstation setup. Please call ARISTA sales for various workstation mounting options.



AMA-7421AX-E01 (Pedestal Mount)

Pedestal Mount 21.5-inch Resistive Touch Screen Operator Workstation Powered by 802.3bt Type 3/4 PoE (Pedestal Mount)

Features

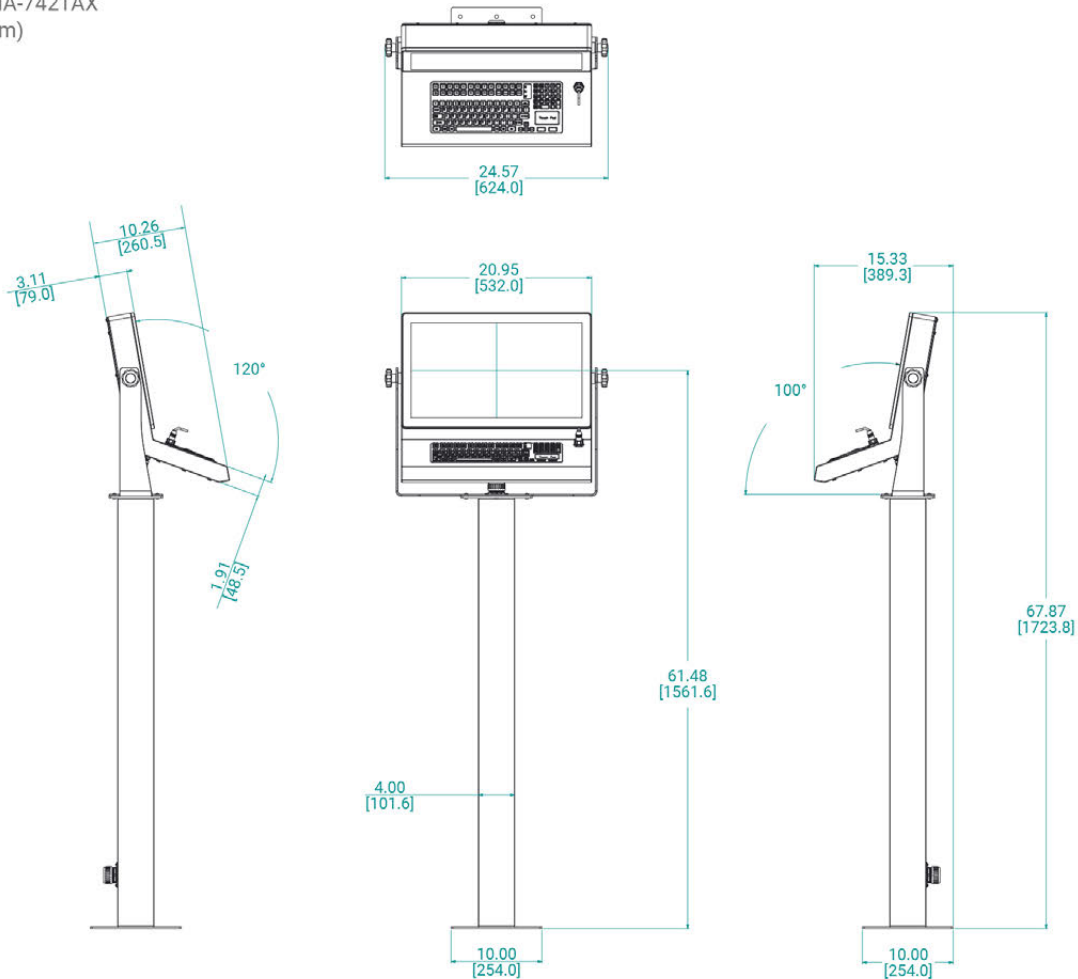
- 21.5" LCD, 1920 x 1080 Resolution
- Projected Capacitive Touch Screen
- Intel Celeron J1900 @ 1.99GHz / Atom E3845 @ 1.91GHz CPU
- Up to 8GB DDR3
- Stainless Steel Fully Closed Enclosure
- Meets NEMA 4X / IP66 Protection Requirements
- Stainless Steel Pedestal Included
- Waterproof Keyboard and Pointing Device
- Three Keyboard Options
- ThinManager Ready Version Available
- Powered By 802.3bt Type 3/4 PoE

Specifications

Model Name	AMA-7421AX-E01
LCD Display	
Display Size (Diagonal)	21.5 inch
Max Resolution	1920 x 1080
Backlight Lifetime (Hours)	50,000 hours
Visual Characteristics	
Colors	16.7 million
Aspect Ratio	16:9
Viewing Angle (V/H)	178° / 178°
Contrast Ratio	1000:1
Brightness	250 nits
Touch Screen	
Technology	Projected Capacitive
Interface	USB
Driver	Windows 7, Windows 10
System	
CPU	Intel Celeron J1900 @ 1.99GHz / Atom E3845 @ 1.91GHz CPU
Chipset	Bay Trail
Memory	Up to 8GB DDR3 SO-DIMM
Video Controller	Intel Gen7 Intel Graphics DX 11, OGL3.2
External Video Output	N/A
Storage Option	2.5" SSD
CFast	Optional
Keyboard	Membrane or Silicon Rubber Keyboard
Mouse	Pointing Device or Touch Pad
Audio	N/A
Watchdog Timer	Programmable 1 - 255 sec
Remote Boot	ThinManager Ready, PXE
Expansion Slot	N/A
I/O Communication	
USB Port	1 x USB 2.0
Serial Port	N/A
IEEE 1394	N/A
LAN	1 x Gigabit
Parallel	N/A
GPIO	N/A
OS Support	
OS Support	Windows 7, Windows 10
Power/Thermal Specs	
Power Requirement (Max)	Powered By 802.3bt Type 3/4 PoE
Power Consumption (Average)	43W
Recommended Power Supply	62 W
Heat Dissipation (Average)	147 BTU/hr
Physical Information	
Mounting	Pedestal Mount
Net Weight	20 Lbs/9.07 kg
Dimension (W x H x D)	24.57 x 59.69 x 13.58 inch 624 x 1516.3 x 344.89 mm
IP/MENA Rating	Meets NEMA 4X / IP65
Certification	N/A
Environmental	
Operation Temperature	0-35°C (32-95°F)
Storage Temperature	-20-60°C (-4-140°F)
Relative Humidity	0~95%

Dimension Drawing

Model Name: AMA-7421AX
Size Unit: inch(mm)



Ordering Information

Item	AMA-7421AX E01-A06-000A	AMA-7421AX E01-A06-000B	AMA-7421AX E01-A06-000C
LCD Display	21.5" LCD / 1920 x 1080	21.5" LCD / 1920 x 1080	21.5" LCD / 1920 x 1080
Touch Screen	Projected Capacitive	Projected Capacitive	Projected Capacitive
Enclosure	316L Stainless Steel	316L Stainless Steel	316L Stainless Steel
CPU	Intel Celeron J1900 @ 1.99GHz / Atom E3845 @ 1.91GHz CPU	Intel Celeron J1900 @ 1.99GHz / Atom E3845 @ 1.91GHz CPU	Intel Celeron J1900 @ 1.99GHz / Atom E3845 @ 1.91GHz CPU
Memory	4GB DDR3	4GB DDR3	4GB DDR3
Storage	N/A	N/A	N/A
Keyboard Option	KB-115A-AX	KB-115B-AX	KB-115C-AX
Remote Boot	ThinManager Ready	ThinManager Ready	ThinManager Ready
Operating System	N/A	N/A	N/A
Operating Voltage	60W PoE Injector Included	60W PoE Injector Included	60W PoE Injector Included

Item	AMA-7421AX-E01-A34-000A	AMA-7421AX-E01-A34-000B	AMA-7421AX-E01-A34-000C
LCD Display	21.5" LCD / 1920 x 1080	21.5" LCD / 1920 x 1080	21.5" LCD / 1920 x 1080
Touch Screen	Projected Capacitive	Projected Capacitive	Projected Capacitive
Enclosure	316L Stainless Steel	316L Stainless Steel	316L Stainless Steel
CPU	Intel Celeron J1900 @ 1.99GHz / Atom E3845 @ 1.91GHz CPU	Intel Celeron J1900 @ 1.99GHz / Atom E3845 @ 1.91GHz CPU	Intel Celeron J1900 @ 1.99GHz / Atom E3845 @ 1.91GHz CPU
Memory	8GB DDR3	8GB DDR3	8GB DDR3
Storage	2.5" SATA SSD	2.5" SATA SSD	2.5" SATA SSD
Keyboard Option	KB-115A-AX	KB-115B-AX	KB-115C-AX
Remote Boot	N/A	N/A	N/A
Operating System	Optional	Optional	Optional
Operating Voltage	60W PoE Injector Included	60W PoE Injector Included	60W PoE Injector Included



ARP-3821AX-E01

NEMA 4X Waterproof Panel PC with 21.5

Features

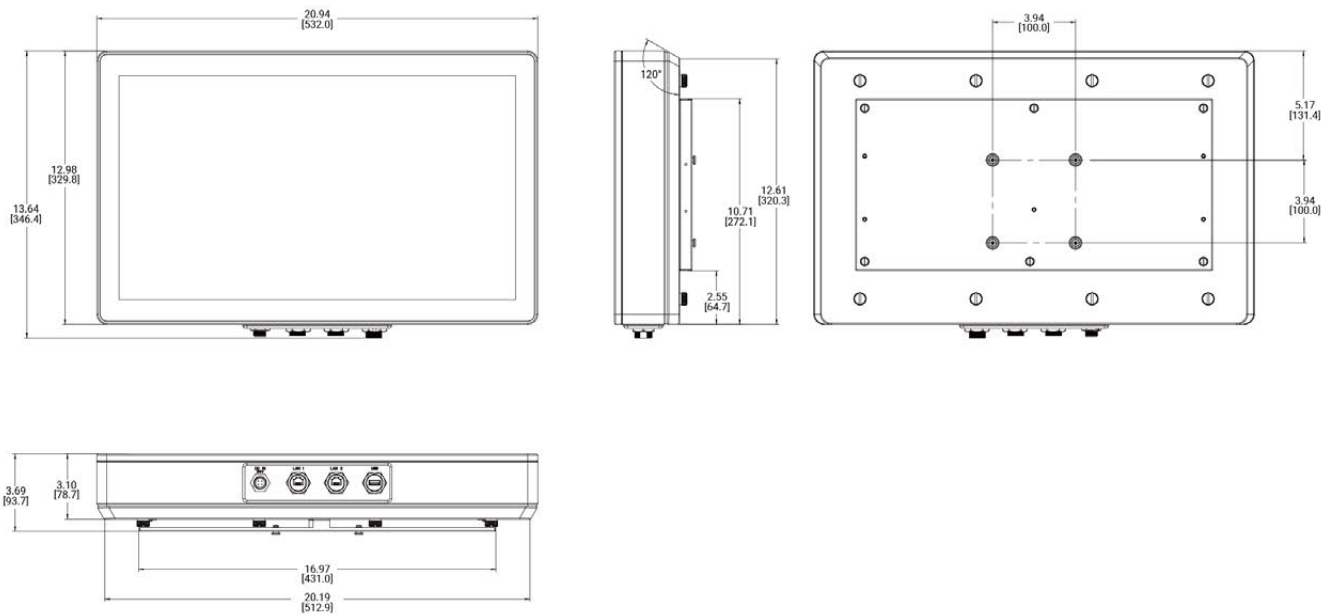
- 21.5" LCD, 1920 x 1080 Resolution
- Projected Capacitive Touch Screen
- Stainless Steel Enclosure
- Intel Celeron J1900 @ 1.99GHz / Atom E3845 @ 1.91GHz CPU
- 8GB DDR3 SO-DIMM
- 1x Gigabit Ethernet
- 2x USB 2.0 ports
- Powered By 802.3bt Type 3/4 PoE

Specifications

Model Name	ARP-3821AX-E01
LCD Display	
Display Size (Diagonal)	21.5 inch
Max Resolution	1920 x 1080
Backlight Lifetime (Hours)	50,000 hours
Visual Characteristics	
Colors	16.7 million
Aspect Ratio	16:9
Viewing Angle (V/H)	178° / 178°
Contrast Ratio	1000 : 1
Brightness	250 nits
Touchscreen	
Technology	Projected Capacitive
Interface	USB x 2
Driver	Windows 7, Windows 10
Enclosure	
NEMA 4	N/A
NEMA 4x	Stainless Steel
System	
CPU	Intel Celeron J1900 @ 1.99GHz / Atom E3845 @ 1.91GHz CPU
Chipset	Bay Trail
Memory	Up to 8GB DDR3 SO-DIMM
Video Controller	Intel Gen7 Intel Graphics DX 11, OGL3.2
External Video Output	N/A
Storage Option	N/A
Compact Flash	N/A
Keyboard / Mouse	USB
Audio	N/A
Watchdog Timer	Programmable 1 - 255 sec
Remote Boot	ThinManager Ready, PXE
Expansion Slot	N/A
I/O Communication	
USB Port	2 x USB 2.0
Serial Port	N/A
IEEE 1394	N/A
LAN	1 x Gigabit
Parallel	N/A
GPIO	N/A
Smart Battery	
External Smart Battery	N/A
OS Support	
OS Support	N/A
Power/Thermal Specs	
Power Requirement (Max)	Powered By Poe 802.3bt Type 3/4
Power Consumption (Max)	38 W
Recommended Power Supply	55 W
Heat Dissipation	130 BTU/hr
Physical Information	
Mounting	Pedestal, VESA, Wall mount, Benchtop
Net Weight	27 Lbs / 12.25 Kg
Dimension (W x H x D)	20.94 x 13.64 x 3.69 inch 532.0 x 346.4 x 93.7 mm
IP/NEMA Rating	Meets NEMA 4X
Certification	N/A
Environmental	
Operating Temperature	0~50°C (32~122°F)
Storage Temperature	-20~60°C (-4~140°F)
Relative Humidity	0~95%

Dimension Drawing

Model Name: ARP-3821AX-E01
 Size Unit: inch(mm)



Ordering Information

Item	ARP-3821AX-E01-006	ARP-3821AX-E01-034
LCD Display	21.5" LCD / 1920 x 1080	21.5" LCD / 1920 x 1080
Touch Screen	Projected Capacitive	Projected Capacitive
Enclosure	Stainless Steel	Stainless Steel
CPU	Intel Celeron J1900 @ 1.99GHz / Atom E3845 @ 1.91GHz CPU	Intel Celeron J1900 @ 1.99GHz / Atom E3845 @ 1.91GHz CPU
Memory	4GB DDR3	8GB DDR3
Storage	N/A	2.5" SSD
Remote Boot	ThinManager Ready	N/A
Power Supply	60W PoE Injector Included	60W PoE Injector Included



ARP-5515AX-E01

NEMA 4X Waterproof Panel PC with 15

Features

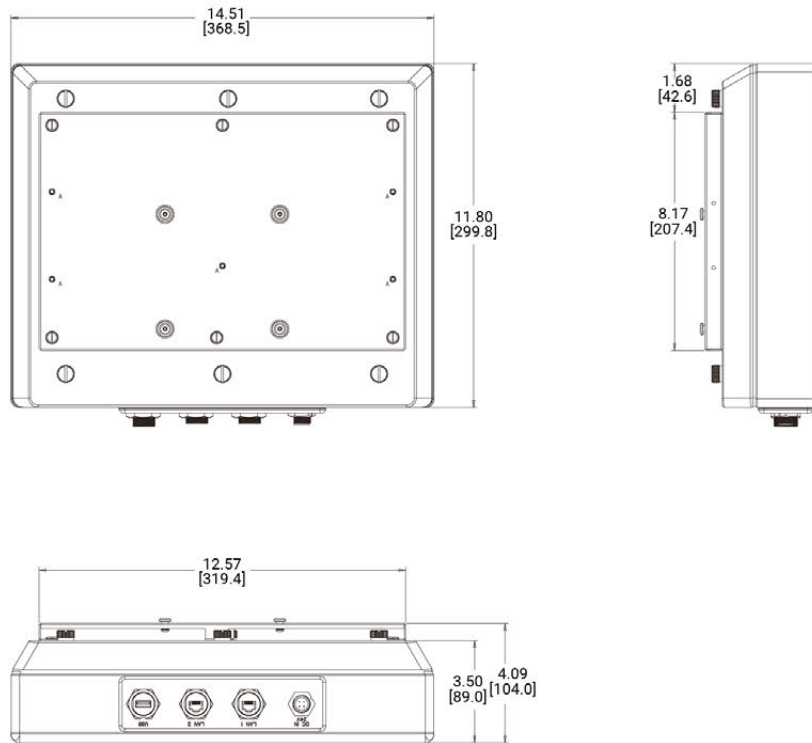
- 15" LCD, 1024 x 768 Resolution
- 5-Wire Resistive Touch
- Stainless Steel Enclosure
- Intel Celeron J1900 @ 1.99GHz / Atom E3845 @ 1.91GHz CPU
- Up to 8GB DDR3 SO-DIMM
- 1x Gigabit Ethernet
- 2x USB 2.0 ports
- Powered By 802.3bt Type 3/4 PoE

Specifications

Model Name	ARP-5515AX-E01
LCD Display	
Display Size (Diagonal)	15.0 inch
Resolution	1024 x 768
Backlight Lifetime (Hours)	50,000
Visual Characteristics	
Colors	16.7 million
Aspect Ratio	4:3
Viewing Angle (V/H)	140° / 170°
Contrast Ratio	700 : 1
Brightness	300 nits (max)
Touchscreen	
Technology	5 Wire Resistive
Interface	USB X 2
Driver	Windows 7, Windows 10
Enclosure	
NEMA 4	N/A
NEMA 4x	Stainless Steel
System	
CPU	Intel Celeron J1900 @ 1.99GHz / Atom E3845 @ 1.91GHz CPU
Chipset	Bay Trail
Memory	Up to 8GB DDR3 SO-DIMM
Video Controller	Intel Gen7 Intel Graphics DX 11, OGL3.2
External Video Output	N/A
Storage Option	N/A
Compact Flash	N/A
Keyboard / Mouse	USB
Audio	N/A
Watchdog Timer	Programmable 1 - 255 sec
Remote Boot	ThinManager Ready, PXE
Expansion Slot	N/A
I/O Communication	
USB Port	2 x USB 2.0
Serial Port	N/A
IEEE 1394	N/A
LAN	1 x Gigabit
Parallel	N/A
GPIO	N/A
Smart Battery	
External Smart Battery	N/A
OS Support	
OS Support	Windows 7, Windows 10
Power/Thermal Specs	
Power Requirement (Max)	Powered By Poe 802.3bt Type 3/4
Power Consumption (Max)	28 W
Recommended Power Supply	40 W
Heat Dissipation	96 BTU/hr
Physical Information	
Mounting	Pedestal, VESA, Wall and Ceiling mount, Benchtop
Net Weight	32 Lbs/ 14.52 kg
Dimension (W x H x D)	14.51 x 12.42 x 4.09 inch 368.6 x 315.5 x 103.9 mm
Recommended Cutout Dimension (WxH)	N/A
IP/NEMA Rating	Meets NEMA 4X
Certification	N/A
Environmental	
Operating Temperature	0~50°C (32~122°F)
Storage Temperature	-20~60°C (-4~140°F)
Relative Humidity	0~95%

Dimension Drawing

Model Name: ARP-5515AX-E01
Size Unit: inch(mm)



Ordering Information

Item	ARP-5515AX-E01-A06	ARP-5515AX-E01-A34
LCD Display	15.0" LCD / 1024 x 768	15.0" LCD / 1024 x 768
Touch Screen	5-Wire	5-Wire
Enclosure	Stainless Steel	Stainless Steel
CPU	Intel Celeron J1900 @ 1.99GHz / Atom E3845 @ 1.91GHz CPU	Intel Celeron J1900 @ 1.99GHz / Atom E3845 @ 1.91GHz CPU
Memory	4GB DDR3	8GB DDR3
Storage	N/A	2.5" SSD
Remote Boot	ThinManager Ready	N/A
Power Supply	60W PoE Injector Included	60W PoE Injector Included



ARP-5517AX-E01

NEMA 4X Waterproof Panel PC with 17

Features

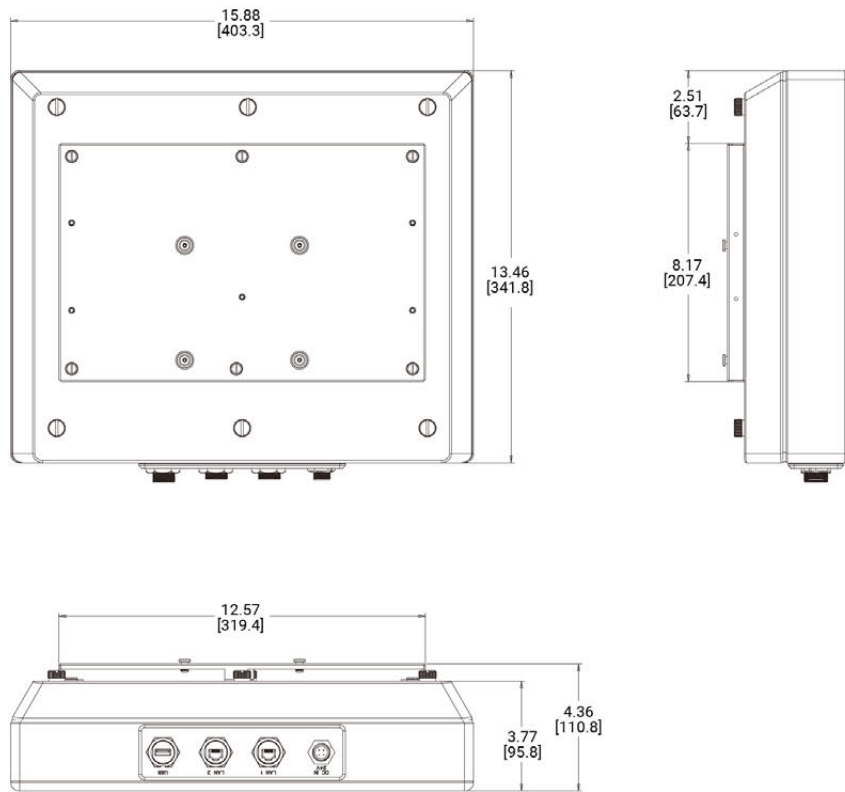
- 17" LCD, 1280 x 1024 Resolution
- 5-Wire Resistive Touch
- Stainless Steel Enclosure
- Intel Celeron J1900 @ 1.99GHz / Atom E3845 @ 1.91GHz CPU
- Up to 8GB DDR3 SO-DIMM
- 1x Gigabit Ethernet
- 2x USB 2.0 ports
- Powered By 802.3bt Type 3/4 PoE

Specifications

Model Name	ARP-5517AX-E01
LCD Display	
Display Size (Diagonal)	17.0 inch
Resolution	1280 x 1024
Backlight Lifetime (Hours)	50,000 hours
Visual Characteristics	
Colors	16.7 million
Aspect Ratio	5:4
Viewing Angle (V/H)	160° / 140°
Contrast Ratio	800 : 1
Brightness	350 nits
Touchscreen	
Technology	5 Wire Resistive
Interface	USB x 2
Driver	Windows 7, Windows 10
Enclosure	
NEMA 4	N/A
NEMA 4x	Stainless Steel
System	
CPU	Intel Celeron J1900 @ 1.99GHz / Atom E3845 @ 1.91GHz CPU
Chipset	Bay Trail
Memory	Up to 8GB DDR3 SO-DIMM
Video Controller	Intel Gen7 Intel Graphics DX 11, OGL3.2
External Video Output	N/A
Storage Option	N/A
Compact Flash	N/A
Keyboard / Mouse	USB
Audio	N/A
Watchdog Timer	Programmable 1 - 255 sec
Remote Boot	ThinManager Ready, PXE
Expansion Slot	N/A
I/O Communication	
USB Port	2 x USB 2.0
Serial Port	N/A
IEEE 1394	N/A
LAN	1 x Gigabit
Parallel	N/A
GPIO	N/A
Smart Battery	
External Smart Battery	N/A
OS Support	
OS Support	Windows 7, Windows 10
Power/Thermal Specs	
Power Requirement (Max)	Powered By Poe 802.3bt Type 3/4
Power Consumption (Max)	30 W
Recommended Power Supply	43 W
Heat Dissipation	103 BTU/hr
Physical Information	
Mounting	Pedestal, VESA, Wall and Ceiling mount, Benchtop
Net Weight	34 Lbs / 15.42 Kg
Dimension (W x H x D)	15.88 x 14.07 x 4.36 inch 403.4 x 357.4 x 110.7 mm
Recommended Cutout Dimension (WxH)	N/A
IP/NEMA Rating	Meets NEMA 4X
Certification	N/A
Environmental	
Operating Temperature	0~50°C (32~122°F)
Storage Temperature	-20~60°C (-4~140°F)
Relative Humidity	0~95%

Dimension Drawing

Model Name: ARP-5517AX-E01
Size Unit: inch(mm)



Ordering Information

Item	ARP-5517AX-E01-A06	ARP-5517AX-E01-A34
LCD Display	17.0" LCD / 1280 x 1024	17.0" LCD / 1280 x 1024
Touch Screen	5-Wire	5-Wire
Enclosure	Stainless Steel	Stainless Steel
CPU	Intel Celeron J1900 @ 1.99GHz / Atom E3845 @ 1.91GHz CPU	Intel Celeron J1900 @ 1.99GHz / Atom E3845 @ 1.91GHz CPU
Memory	4GB DDR3	8GB DDR3
Storage	N/A	2.5" SSD
Remote Boot	ThinManager Ready	N/A
Power Supply	60W PoE Injector Included	60W PoE Injector Included



ARP-5519AX-E01

NEMA 4X Waterproof Panel PC with 19"

Features

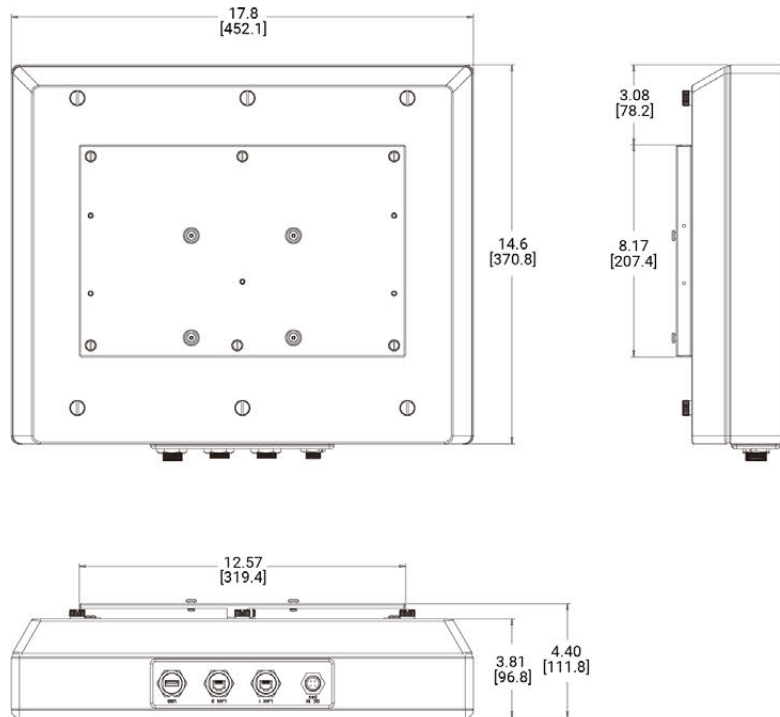
- 19" LCD, 1280 x 1024 Resolution
- 5-Wire Resistive Touch
- Stainless Steel Enclosure
- Intel Celeron J1900 @ 1.99GHz / Atom E3845 @ 1.91GHz CPU
- 8GB DDR3 SO-DIMM
- 1x Gigabit Ethernet
- 2x USB 2.0 ports
- Powered By 802.3bt Type 3/4 PoE

Specifications

Model Name	ARP-5519AX-E01
LCD Display	
Display Size (Diagonal)	19.0 inch
Resolution	1280 x 1024
Backlight Lifetime (Hours)	50,000 hours
Visual Characteristics	
Colors	16.7 million
Aspect Ratio	5:4
Viewing Angle (V/H)	160° / 170°
Contrast Ratio	1000 : 1
Brightness	450 nits
Touchscreen	
Technology	5 Wire Resistive
Interface	USB x 2
Driver	Windows 7, Windows 10
Enclosure	
NEMA 4	N/A
NEMA 4x	Stainless Steel
System	
CPU	Intel Celeron J1900 @ 1.99GHz / Atom E3845 @ 1.91GHz CPU
Chipset	Bay Trail
Memory	Up to 8GB DDR3 SO-DIMM
Video Controller	Intel Gen7 Intel Graphics DX 11, OGL3.2
External Video Output	N/A
Storage Option	N/A
Compact Flash	N/A
Keyboard / Mouse	USB
Audio	N/A
Watchdog Timer	Programmable 1 - 255 sec
Remote Boot	ThinManager Ready, PXE
Expansion Slot	N/A
I/O Communication	
USB Port	2 x USB 2.0
Serial Port	N/A
IEEE 1394	N/A
LAN	1 x Gigabit
Parallel	N/A
GPIO	N/A
Smart Battery	
External Smart Battery	N/A
OS Support	
OS Support	Windows 7, Windows 10
Power/Thermal Specs	
Power Requirement (Max)	Powered By Poe 802.3bt Type 3/4
Power Consumption (Max)	30 W
Recommended Power Supply	43 W
Heat Dissipation	103 BTU/hr
Physical Information	
Mounting	Pedestal, VESA, Wall and Ceiling mount, Benchtop
Net Weight	35 Lbs / 15.88 Kg
Dimension (W x H x D)	17.80 x 15.19 x 4.40 inch 452.1 x 385.8 x 111.8 mm
Recommended Cutout Dimension (WxH)	N/A
IP/NEMA Rating	Meets NEMA 4X
Certification	N/A
Environmental	
Operating Temperature	0~50°C (32~122°F)
Storage Temperature	-20~60°C (-4~140°F)
Relative Humidity	0~95%

Dimension Drawing

Model Name: ARP-5519AX-E01
Size Unit: inch(mm)



Ordering Information

Item	ARP-5519AX-E01-A06	ARP-5519AX-E01-A34
LCD Display	19.0" LCD / 1280 x 1024	19.0" LCD / 1280 x 1024
Touch Screen	5-Wire	5-Wire
Enclosure	Stainless Steel	Stainless Steel
CPU	Intel Celeron J1900 @ 1.99GHz / Atom E3845 @ 1.91GHz CPU	Intel Celeron J1900 @ 1.99GHz / Atom E3845 @ 1.91GHz CPU
Memory	4GB DDR3	8GB DDR3
Storage	N/A	2.5" SSD
Remote Boot	ThinManager Ready	N/A
Power Supply	60W PoE Injector Included	60W PoE Injector Included



ARP-3821AX-E01-A06

Waterproof Thin Client Panel PC with 21.5-inch PCAP Touch Screen Powered by 802.3bt Type 3/4 PoE

Features

- 21.5" LCD, 1920 x 1080 Resolution
- Projected Capacitive Touch Screen
- Stainless Steel Enclosure
- Intel Celeron J1900 @ 1.99GHz / Atom E3845 @ 1.91GHz CPU
- 4GB DDR3 SO-DIMM
- 1x Gigabit Ethernet
- 2x USB 2.0 ports
- Powered By 802.3bt Type 3/4 PoE

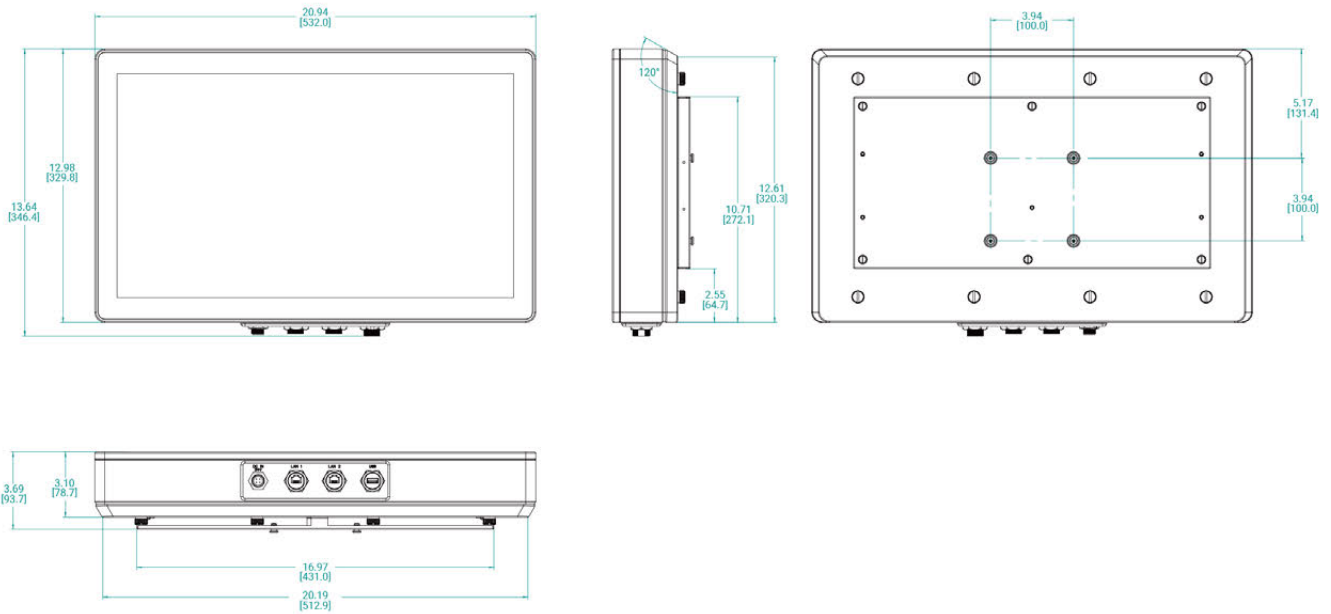
Specifications

Model Name	ARP-3821AX-E01-A06
LCD Display	
Display Size (Diagonal)	21.5 inch
Max Resolution	1920 x 1080
Backlight Lifetime (Hours)	50,000 hours
Visual Characteristics	
Colors	16.7 million
Aspect Ratio	16:9
Viewing Angle (V/H)	178° / 178°
Contrast Ratio	1000 : 1
Brightness	250 nits
Touchscreen	
Technology	Projected Capacitive
Interface	USB x 2
Driver	ThinManager Supported Driver
Enclosure	
NEMA 4	N/A
NEMA 4x	Stainless Steel
System	
CPU	Intel Celeron J1900 @ 1.99GHz / Atom E3845 @ 1.91GHz CPU
Chipset	Bay Trail
Memory	4GB DDR3 SO-DIMM
Video Controller	Intel Gen7 Intel Graphics DX 11, OGL3.2
External Video Output	N/A
Storage Option	N/A
Compact Flash	N/A
Keyboard / Mouse	USB
Audio	N/A
Watchdog Timer	Programmable 1 - 255 sec
Remote Boot	ThinManager Ready, PXE
Expansion Slot	N/A
I/O Communication	
USB Port	2 x USB 2.0
Serial Port	N/A
IEEE 1394	N/A
LAN	1 x Gigabit
Parallel	N/A
GPIO	N/A
Smart Battery	
External Smart Battery	N/A
OS Support	
OS Support	N/A
Power/Thermal Specs	
Power Requirement (Max)	Powered By 802.3bt Type 3/4 PoE
Power Consumption (Max)	38 W
Recommended Power Supply	55 W
Heat Dissipation	130 BTU/hr
Physical Information	
Mounting	Pedestal, VESA, Wall mount, Benchtop
Net Weight	27 Lbs / 12.25 Kg
Dimension (W x H x D)	20.94 x 13.64 x 3.69 inch 532.0 x 346.4 x 93.7 mm
IP/NEMA Rating	Meets NEMA 4X
Certification	N/A
Environmental	
Operating Temperature	0~50°C (32~122°F)
Storage Temperature	-20~60°C (-4~140°F)
Relative Humidity	0~95%

Dimension Drawing

Model Name: ARP-3821AX-E01

Size Unit: inch(mm)



Ordering Information

Item	ARP-3821AX-E01-A06
LCD Display	21.5" LCD / 1920 x 1080
Touch Screen	Projected Capacitive
Enclosure	Stainless Steel
CPU	Intel Celeron J1900 @ 1.99GHz / Atom E3845 @ 1.91GHz CPU
Memory	4GB DDR3
Storage	N/A
Remote Boot	ThinManager Ready
Power Supply	60W PoE Injector Included



ARP-5515AX-E01-A06

Waterproof Thin Client Panel PC with 15-inch Resistive Touch Screen Powered by 802.3bt Type 3/4 PoE

Features

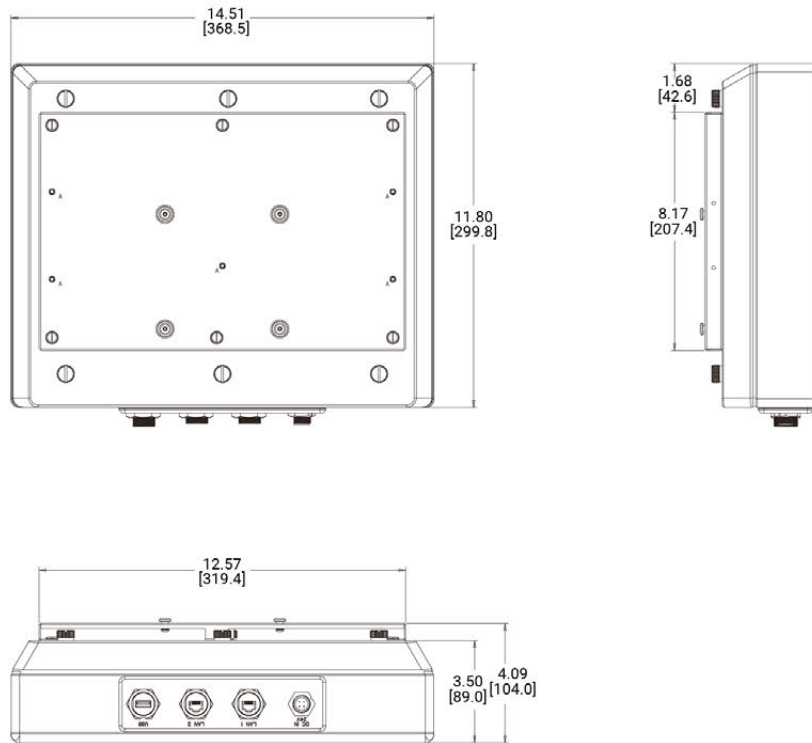
- 15" LCD, 1024 x 768 Resolution
- 5-Wire Resistive Touch
- Stainless Steel Enclosure
- Intel Celeron J1900 @ 1.99GHz / Atom E3845 @ 1.91GHz CPU
- 4GB DDR3 SO-DIMM
- 1x Gigabit Ethernet
- 2x USB 2.0 ports
- Powered By 802.3bt Type 3/4 PoE

Specifications

Model Name	ARP-5515AX-E01-A06
LCD Display	
Display Size (Diagonal)	15.0 inch
Resolution	1024 x 768
Backlight Lifetime (Hours)	50,000
Visual Characteristics	
Colors	16.7 million
Aspect Ratio	4:3
Viewing Angle (V/H)	140° / 170°
Contrast Ratio	700 : 1
Brightness	300 nits (max)
Touchscreen	
Technology	5 Wire Resistive
Interface	USB X 2
Driver	ThinManager Supported Driver
Enclosure	
NEMA 4	N/A
NEMA 4x	Stainless Steel
System	
CPU	Intel Celeron J1900 @ 1.99GHz / Atom E3845 @ 1.91GHz CPU
Chipset	Bay Trail
Memory	4GB DDR3 SO-DIMM
Video Controller	Intel Gen7 Intel Graphics DX 11, OGL3.2
External Video Output	N/A
Storage Option	N/A
Compact Flash	N/A
Keyboard / Mouse	USB
Audio	N/A
Watchdog Timer	Programmable 1 - 255 sec
Remote Boot	ThinManager Ready, PXE
Expansion Slot	N/A
I/O Communication	
USB Port	2 x USB 2.0
Serial Port	N/A
IEEE 1394	N/A
LAN	1 x Gigabit
Parallel	N/A
GPIO	N/A
Smart Battery	
External Smart Battery	N/A
OS Support	
OS Support	N/A
Power/Thermal Specs	
Power Requirement (Max)	Powered By 802.3bt Type 3/4 PoE
Power Consumption (Max)	28 W
Recommended Power Supply	40 W
Heat Dissipation	96 BTU/hr
Physical Information	
Mounting	Pedestal, VESA, Wall and Ceiling mount, Benchtop
Net Weight	32 Lbs/ 14.52 kg
Dimension (W x H x D)	14.51 x 12.42 x 4.09 inch 368.6 x 315.5 x 103.9 mm
Recommended Cutout Dimension (WxH)	N/A
IP/NEMA Rating	Meets NEMA 4X
Certification	N/A
Environmental	
Operating Temperature	0~50°C (32~122°F)
Storage Temperature	-20~60°C (-4~140°F)
Relative Humidity	0~95%

Dimension Drawing

Model Name: ARP-5515AX-E01
Size Unit: inch(mm)



Ordering Information

Item	ARP-5515AX-E01-A06
LCD Display	15.0" LCD / 1024 x 768
Touch Screen	5-Wire
Enclosure	Stainless Steel
CPU	Intel Celeron J1900 @ 1.99GHz / Atom E3845 @ 1.91GHz CPU
Memory	4GB DDR3
Storage	N/A
Remote Boot	ThinManager Ready
Power Supply	60W PoE Injector Included



ARP-5517AX-E01-A06

Waterproof Thin Client Panel PC with 17-inch Resistive Touch Screen Powered by 802.3bt Type 3/4 PoE

Features

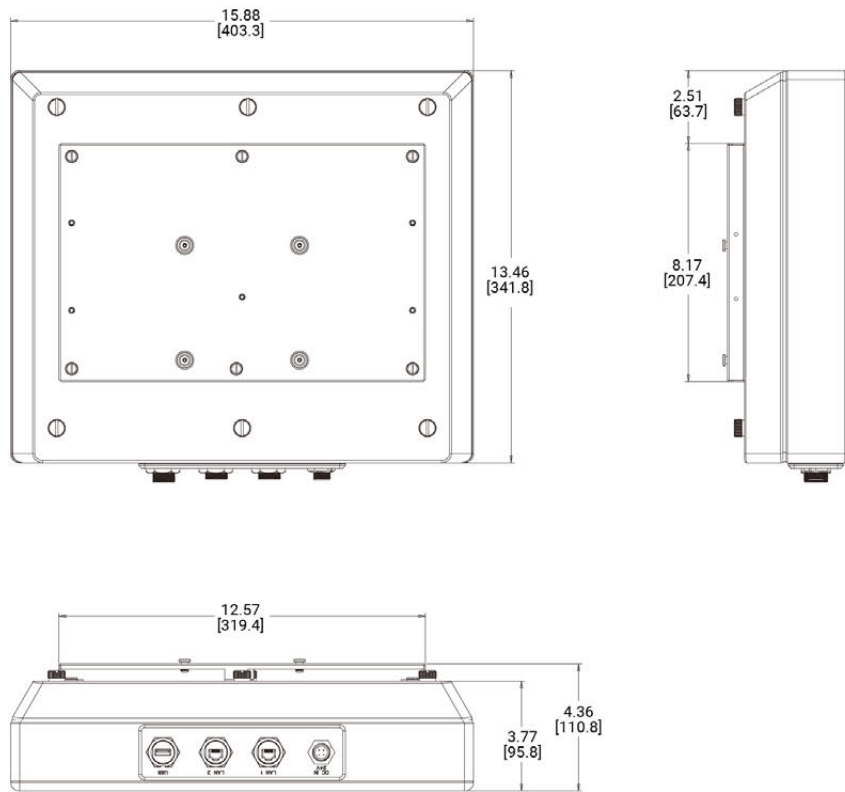
- 17" LCD, 1280 x 1024 Resolution
- 5-Wire Resistive Touch
- Stainless Steel Enclosure
- Intel Celeron J1900 @ 1.99GHz / Atom E3845 @ 1.91GHz CPU
- 4GB DDR3 SO-DIMM
- 1x Gigabit Ethernet
- 2x USB 2.0 ports
- Powered By 802.3bt Type 3/4 PoE

Specifications

Model Name	ARP-5517AX-E01-A06
LCD Display	
Display Size (Diagonal)	17.0 inch
Resolution	1280 x 1024
Backlight Lifetime (Hours)	50,000 hours
Visual Characteristics	
Colors	16.7 million
Aspect Ratio	5:4
Viewing Angle (V/H)	160° / 140°
Contrast Ratio	800 : 1
Brightness	350 nits
Touchscreen	
Technology	5 Wire Resistive
Interface	USB x 2
Driver	ThinManager Supported Driver
Enclosure	
NEMA 4	N/A
NEMA 4x	Stainless Steel
System	
CPU	Intel Celeron J1900 @ 1.99GHz / Atom E3845 @ 1.91GHz CPU
Chipset	Bay Trail
Memory	4GB DDR3 SO-DIMM
Video Controller	Intel Gen7 Intel Graphics DX 11, OGL3.2
External Video Output	N/A
Storage Option	N/A
Compact Flash	N/A
Keyboard / Mouse	USB
Audio	N/A
Watchdog Timer	Programmable 1 - 255 sec
Remote Boot	ThinManager Ready, PXE
Expansion Slot	N/A
I/O Communication	
USB Port	2 x USB 2.0
Serial Port	N/A
IEEE 1394	N/A
LAN	1 x Gigabit
Parallel	N/A
GPIO	N/A
Smart Battery	
External Smart Battery	N/A
OS Support	
OS Support	N/A
Power/Thermal Specs	
Power Requirement (Max)	Powered By 802.3bt Type 3/4 PoE
Power Consumption (Max)	30 W
Recommended Power Supply	43 W
Heat Dissipation	103 BTU/hr
Physical Information	
Mounting	Pedestal, VESA, Wall and Ceiling mount, Benchtop
Net Weight	34 Lbs / 15.42 Kg
Dimension (W x H x D)	15.88 x 14.07 x 4.36 inch 403.4 x 357.4 x 110.7 mm
Recommended Cutout Dimension (WxH)	N/A
IP/NEMA Rating	Meets NEMA 4X
Certification	N/A
Environmental	
Operating Temperature	0~50°C (32~122°F)
Storage Temperature	-20~60°C (-4~140°F)
Relative Humidity	0~95%

Dimension Drawing

Model Name: ARP-5517AX-E01
Size Unit: inch(mm)



Ordering Information

Item	ARP-5517AX-E01-A06
LCD Display	17.0" LCD / 1280 x 1024
Touch Screen	5-Wire
Enclosure	Stainless Steel
CPU	Intel Celeron J1900 @ 1.99GHz / Atom E3845 @ 1.91GHz CPU
Memory	4GB DDR3
Storage	N/A
Remote Boot	ThinManager Ready
Power Supply	60W PoE Injector Included



ARP-5519AX-E01-A06

Waterproof Thin Client Panel PC with 19-inch Resistive Touch Screen Powered by 802.3bt Type 3/4 PoE

Features

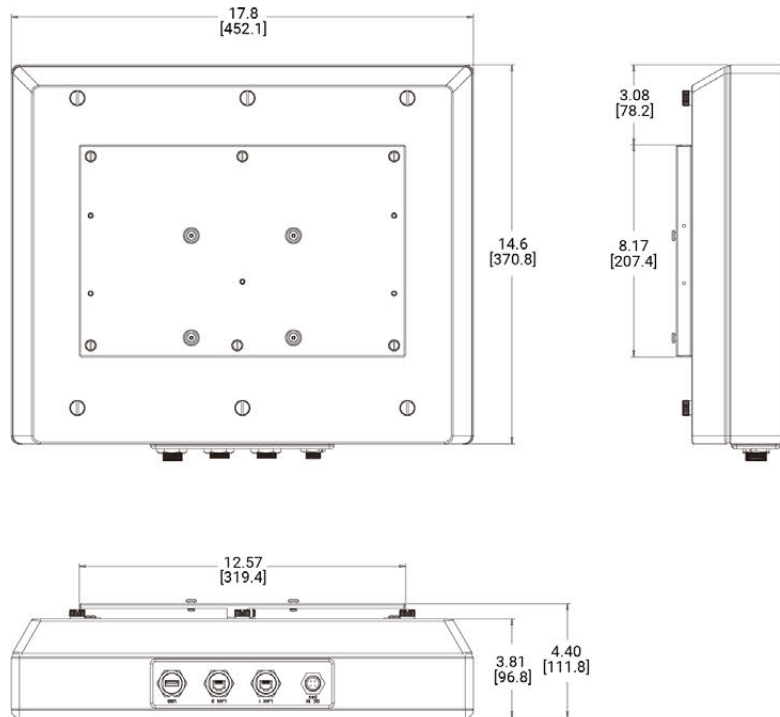
- 19" LCD, 1280 x 1024 Resolution
- 5-Wire Resistive Touch
- Stainless Steel Enclosure
- Intel Celeron J1900 @ 1.99GHz / Atom E3845 @ 1.91GHz CPU
- 4GB DDR3 SO-DIMM
- 1x Gigabit Ethernet
- 2x USB 2.0 ports
- Powered By 802.3bt Type 3/4 PoE

Specifications

Model Name	ARP-5519AX-E01-A06
LCD Display	
Display Size (Diagonal)	19.0 inch
Resolution	1280 x 1024
Backlight Lifetime (Hours)	50,000 hours
Visual Characteristics	
Colors	16.7 million
Aspect Ratio	5:4
Viewing Angle (V/H)	160° / 170°
Contrast Ratio	1000 : 1
Brightness	450 nits
Touchscreen	
Technology	5 Wire Resistive
Interface	USB x 2
Driver	ThinManager Supported Driver
Enclosure	
NEMA 4	N/A
NEMA 4x	Stainless Steel
System	
CPU	Intel Celeron J1900 @ 1.99GHz / Atom E3845 @ 1.91GHz CPU
Chipset	Bay Trail
Memory	4GB DDR3 SO-DIMM
Video Controller	Intel Gen7 Intel Graphics DX 11, OGL3.2
External Video Output	N/A
Storage Option	N/A
Compact Flash	N/A
Keyboard / Mouse	USB
Audio	N/A
Watchdog Timer	Programmable 1 - 255 sec
Remote Boot	ThinManager Ready, PXE
Expansion Slot	N/A
I/O Communication	
USB Port	2 x USB 2.0
Serial Port	N/A
IEEE 1394	N/A
LAN	1 x Gigabit
Parallel	N/A
GPIO	N/A
Smart Battery	
External Smart Battery	N/A
OS Support	
OS Support	N/A
Power/Thermal Specs	
Power Requirement (Max)	Powered By 802.3bt Type 3/4 PoE
Power Consumption (Max)	30 W
Recommended Power Supply	43 W
Heat Dissipation	103 BTU/hr
Physical Information	
Mounting	Pedestal, VESA, Wall and Ceiling mount, Benchtop
Net Weight	35 Lbs / 15.88 Kg
Dimension (W x H x D)	17.80 x 15.19 x 4.40 inch 452.1 x 385.8 x 111.8 mm
Recommended Cutout Dimension (WxH)	N/A
IP/NEMA Rating	Meets NEMA 4X
Certification	N/A
Environmental	
Operating Temperature	0~50°C (32~122°F)
Storage Temperature	-20~60°C (-4~140°F)
Relative Humidity	0~95%

Dimension Drawing

Model Name: ARP-5519AX-E01
Size Unit: inch(mm)



Ordering Information

Item	ARP-5519AX-E01-A06
LCD Display	19.0" LCD / 1280 x 1024
Touch Screen	5-Wire
Enclosure	Stainless Steel
CPU	Intel Celeron J1900 @ 1.99GHz / Atom E3845 @ 1.91GHz CPU
Memory	4GB DDR3
Storage	N/A
Remote Boot	ThinManager Ready
Power Supply	60W PoE Injector Included



ARISTA Corporation (USA)

 48460 Lakeview Blvd, Fremont, CA 94538

 Phone : +1-510-226-1800  eFax : 510-405-8437

 sales@goarista.com  www.aristaipc.com